

下接头-数量：4

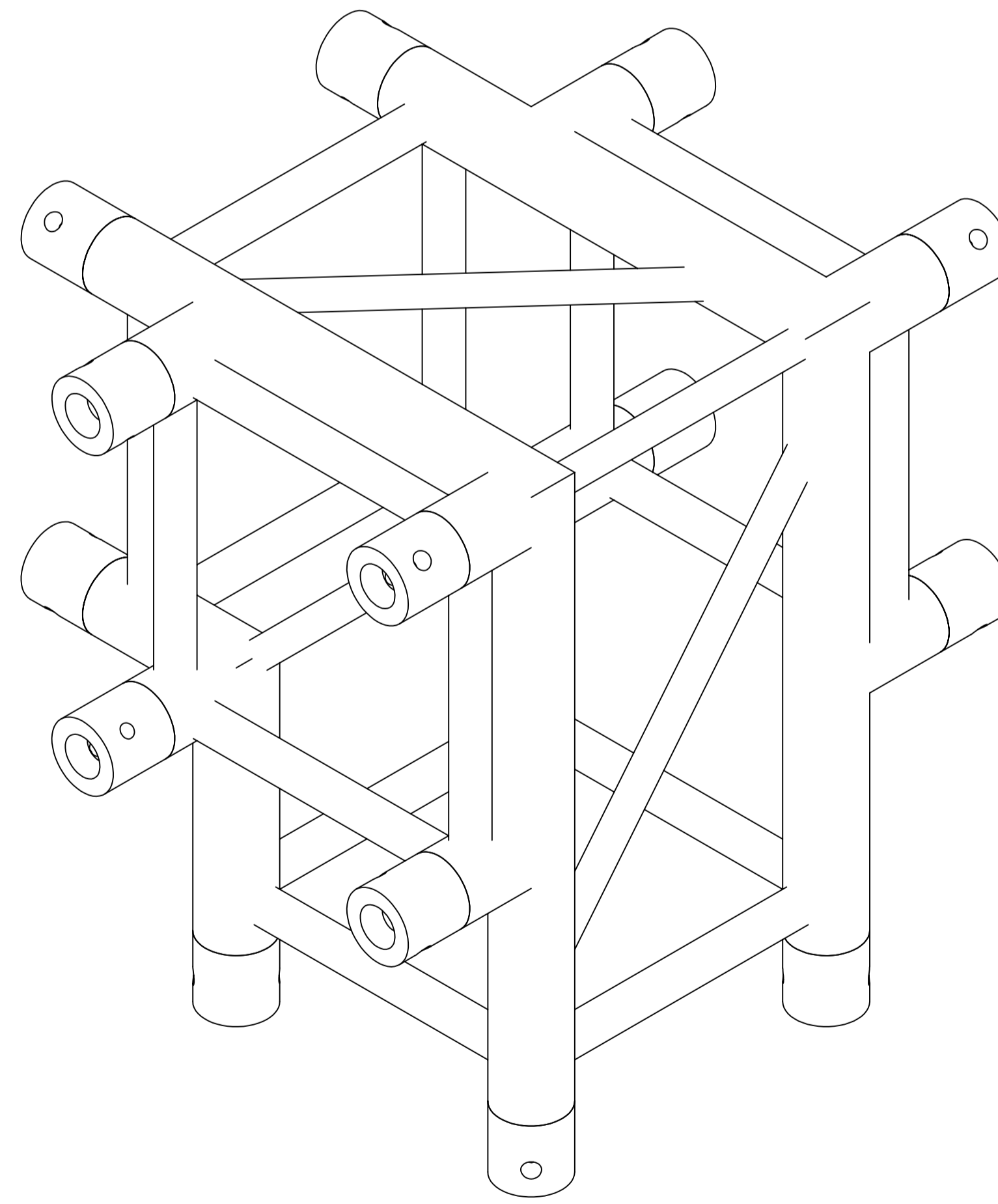
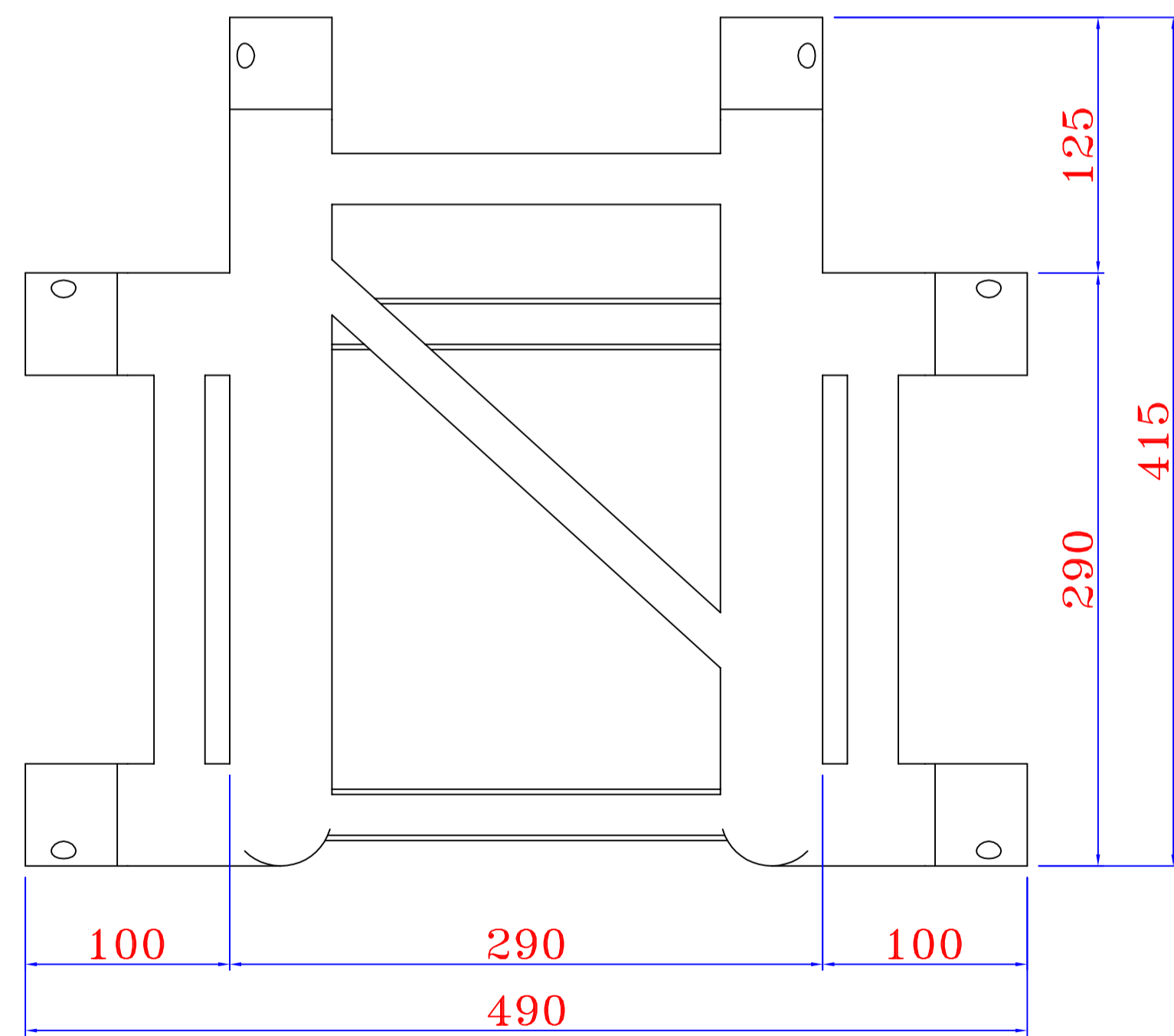
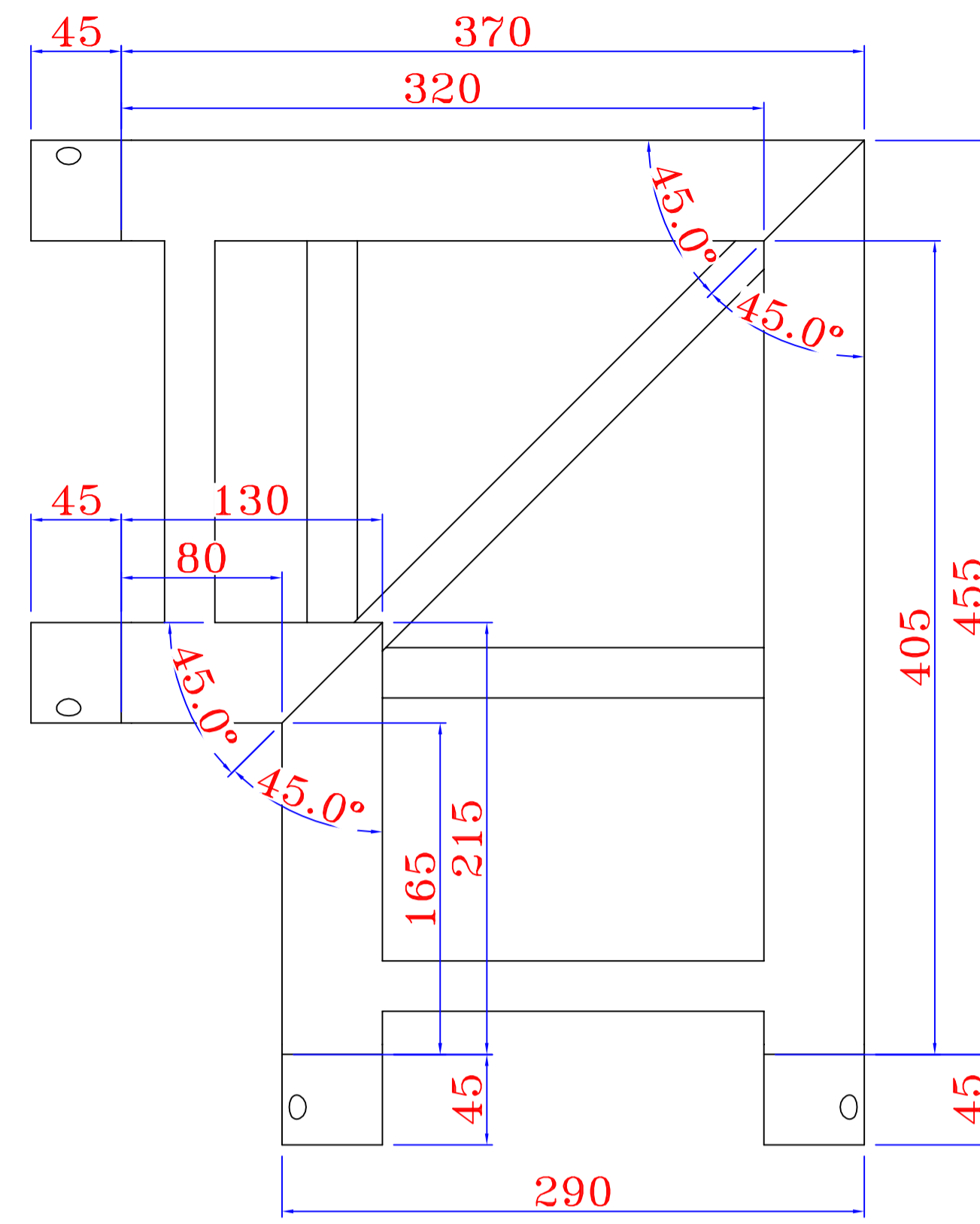
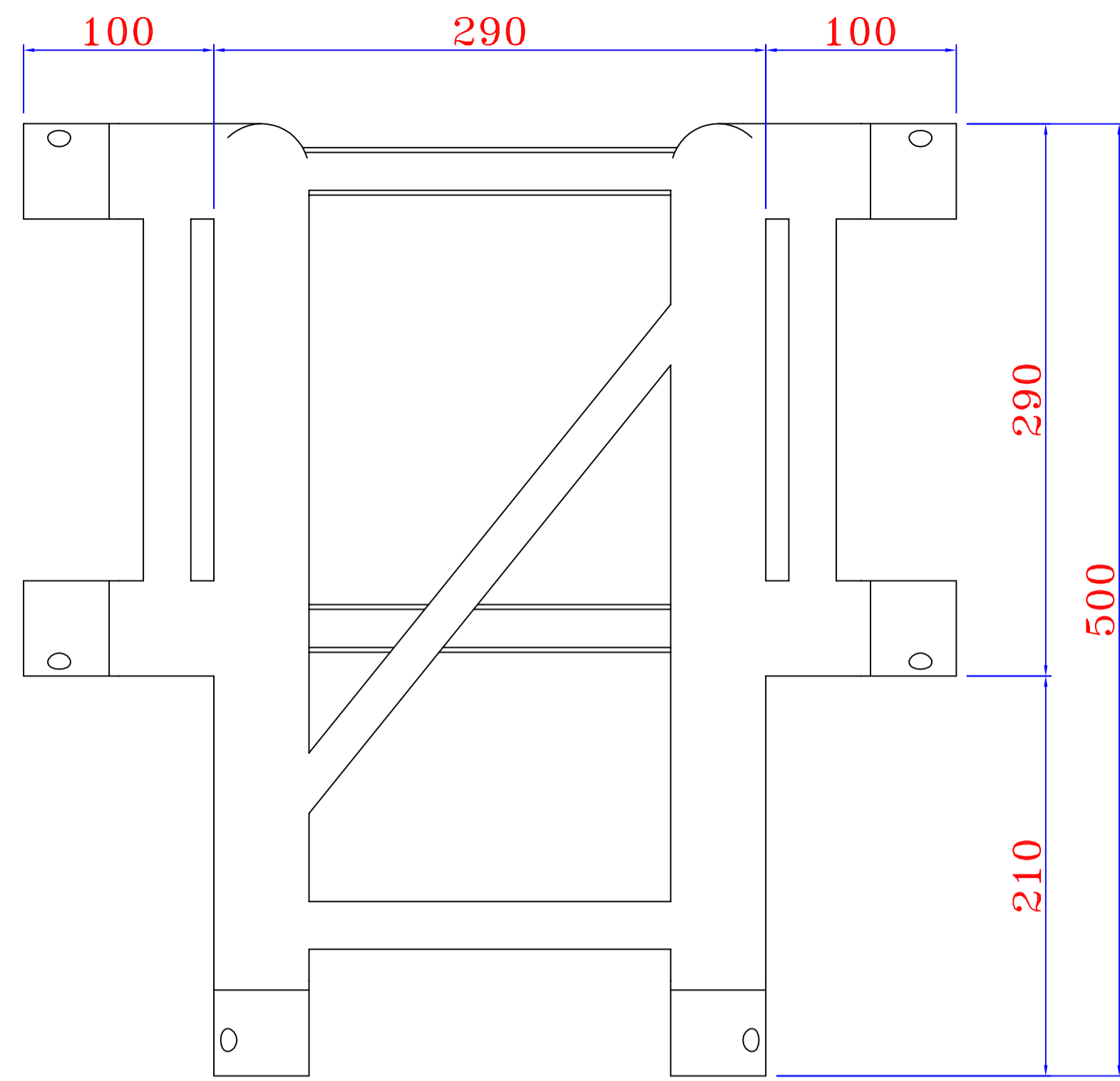
General Notes

No.	Revision/Issue	Date

--

--

Project	Sheet
Date	
Scale	



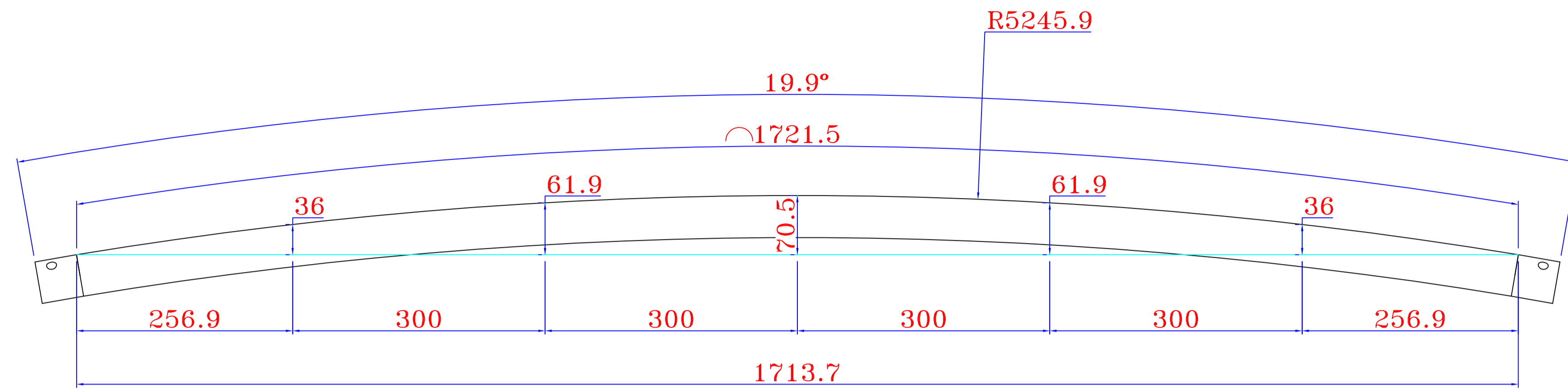
上接头-数量：2

General Notes

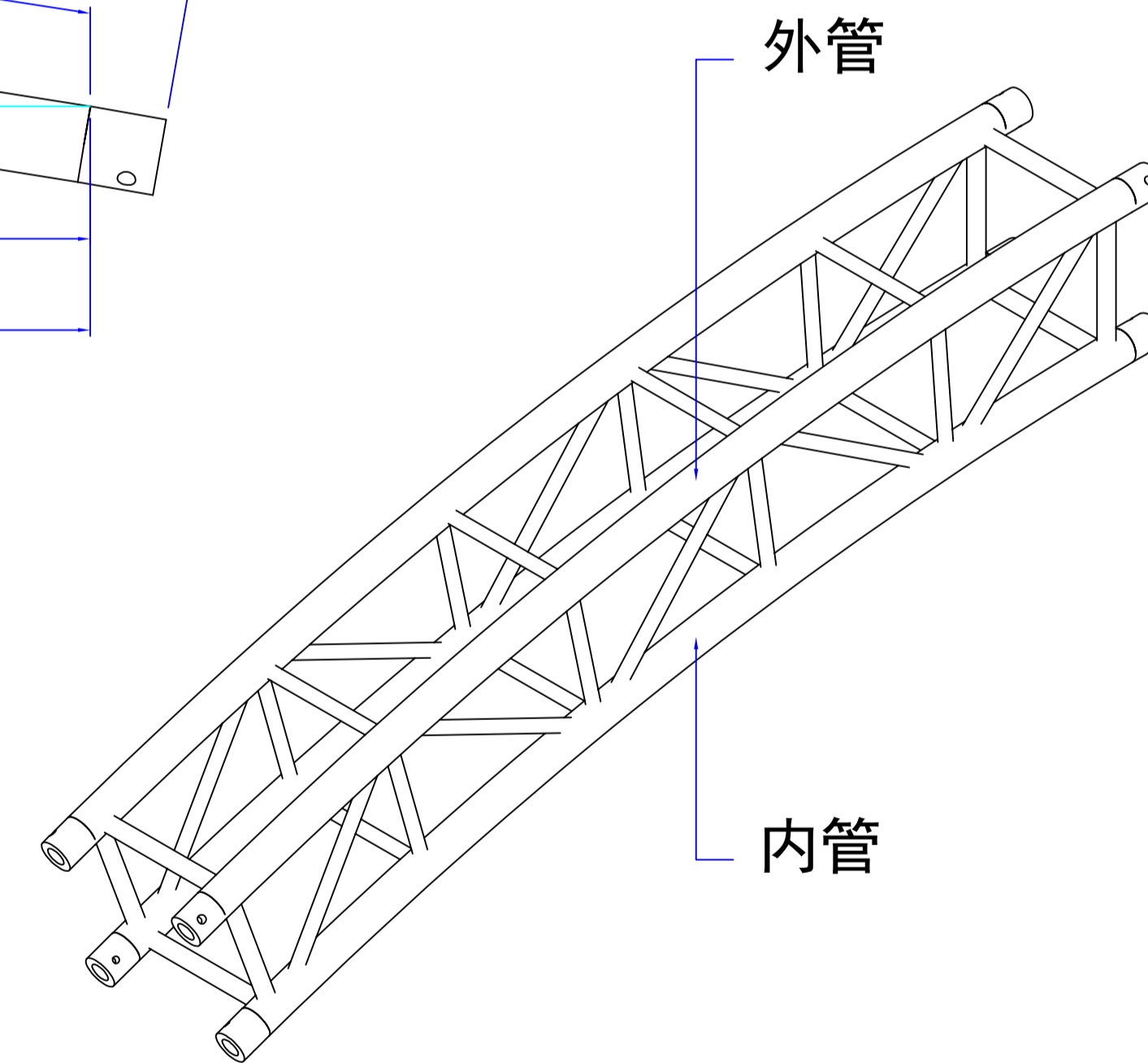
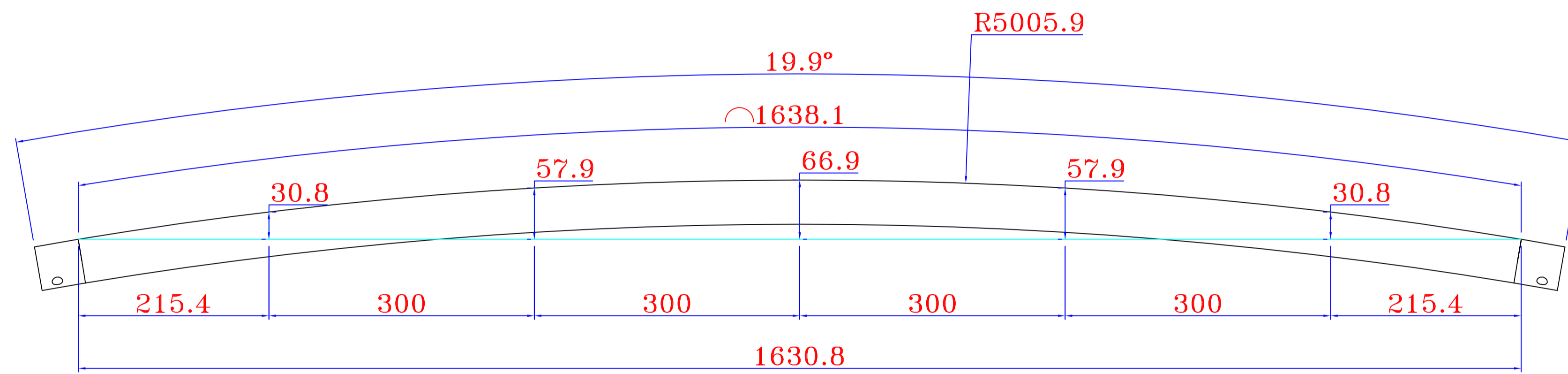
No.	Revision/Issue	Date

Project	Sheet
Date	
Scale	

外管



内管



弧形架-数量: 8

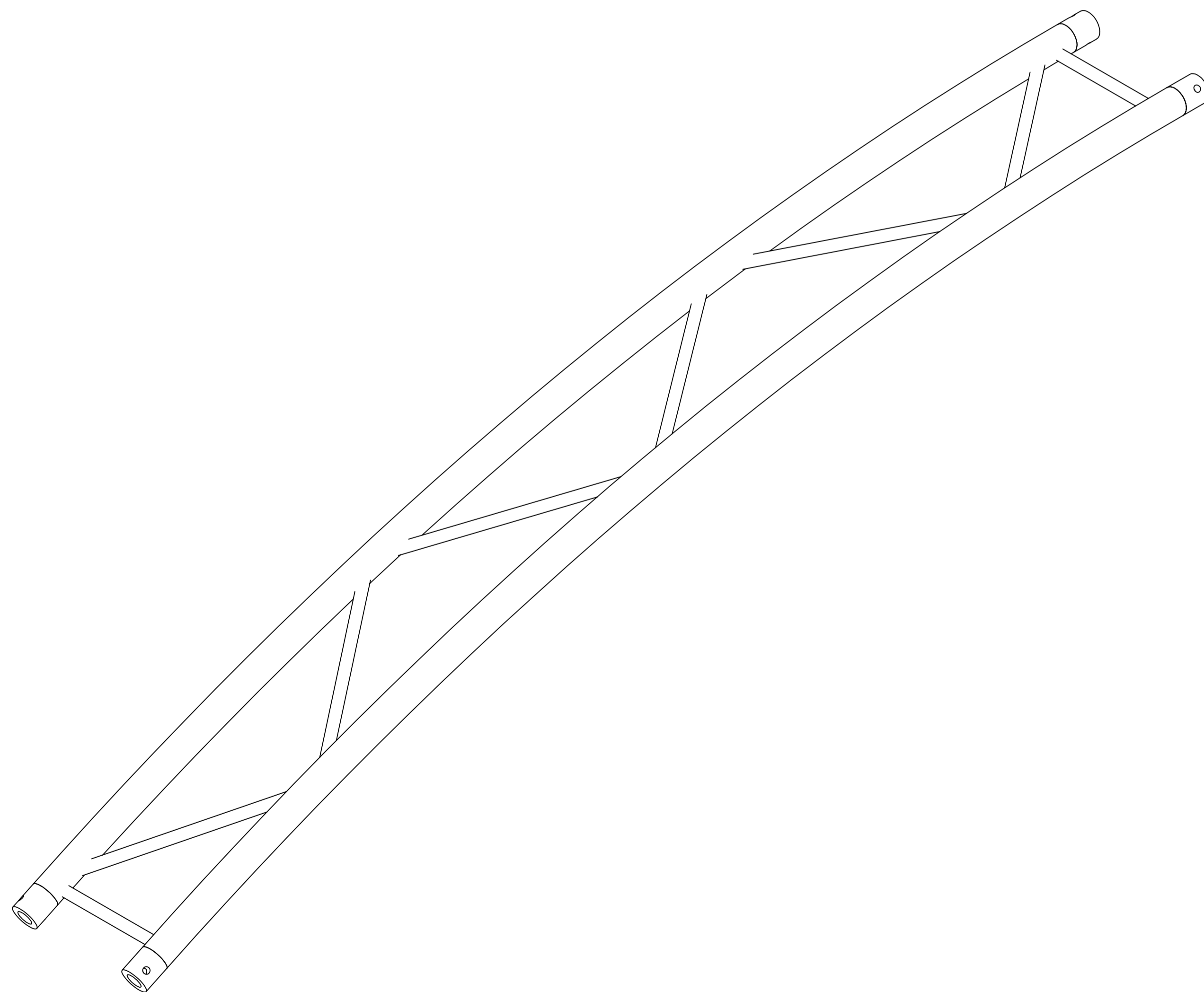
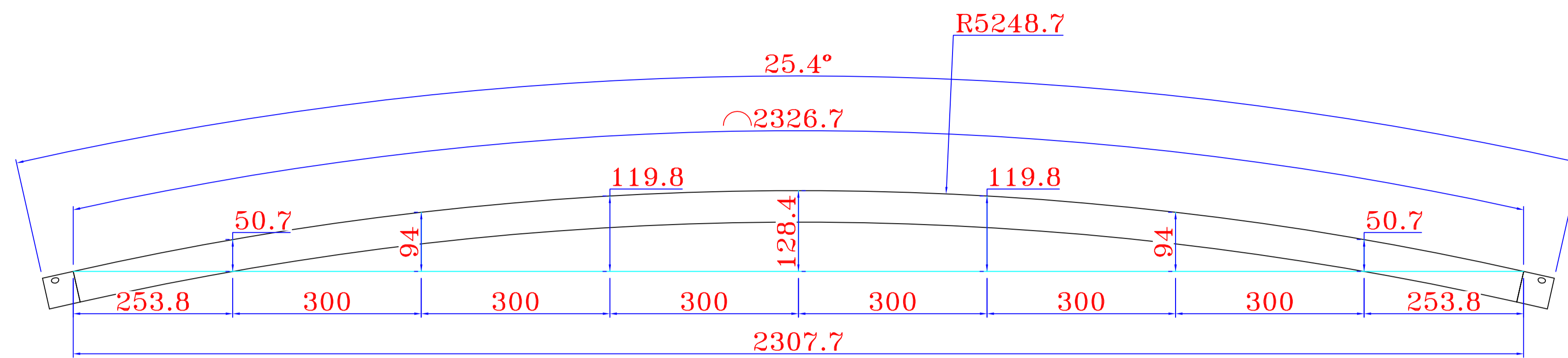
General Notes

No.	Revision/Issue	Date

--

--

Project	Sheet
Date	
Scale	



弧形单排架-数量：16

General Notes

No.	Revision/Issue	Date

Project	Sheet
Date	
Scale	